



Custom Elbows

A&W Productions
 Attn: Tubing Division
 1002 Cowling Road
 Sanger, TX 76266

Input this information to initiate a bid:

Quantity		
Diameter		
Degree of Bend		
A Dimension*		
B Dimension*		
A or B Expanded inside dimension		
<input type="checkbox"/> Plain <input type="checkbox"/> Ceramic Coated <input type="checkbox"/> Aluminized <input type="checkbox"/> Stainless Steel <input type="checkbox"/> Chrome		

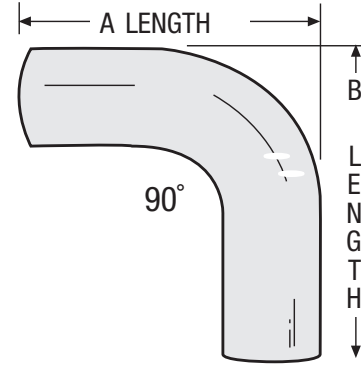
*See Figure 1 and Figure 2 at right

Bending Capability

Mandrel Bending

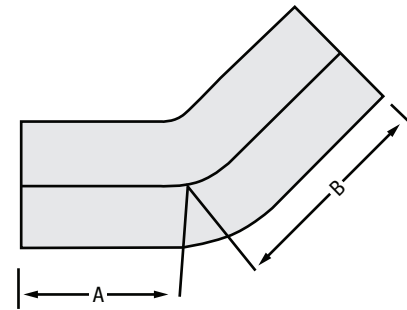
DIA.	CLR*
4"	4", 8"
5"	5.5", 8"

*See Figure 3 at right



Measure to backside

Figure 1



Measure to center line

Figure 2

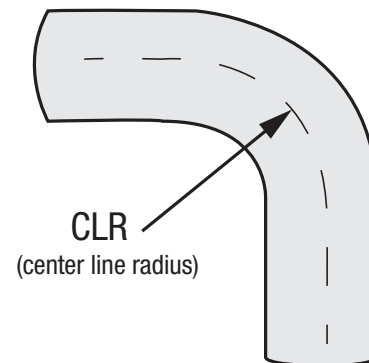


Figure 3